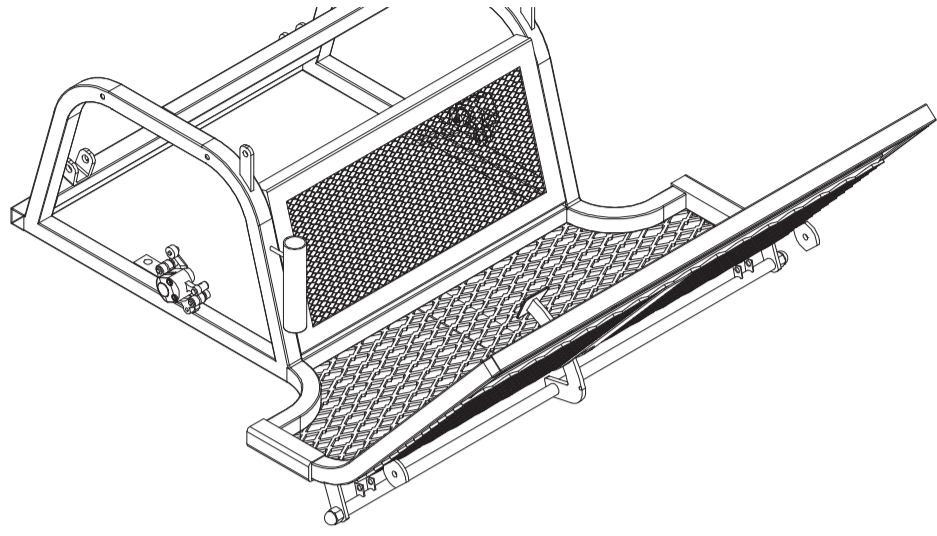
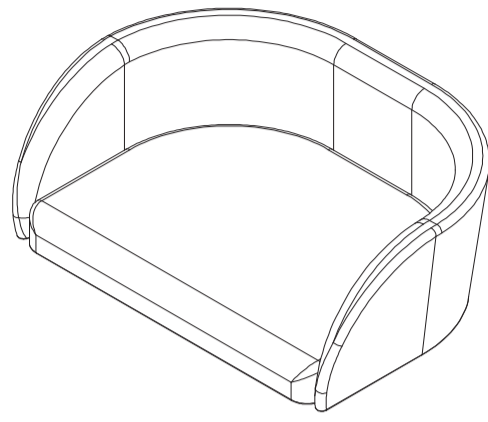


Sulky Pirouette®

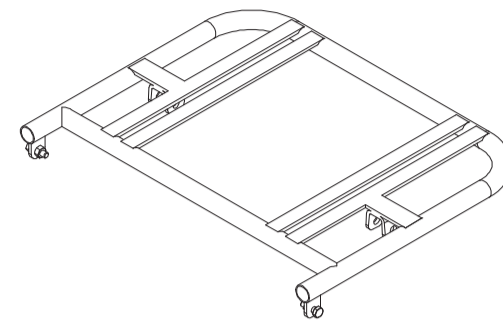
Assembly instruction



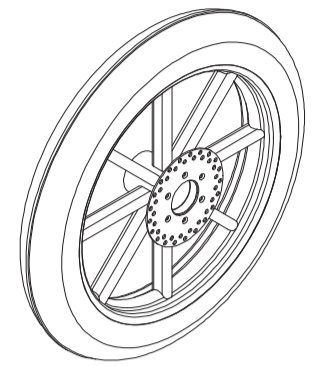
A x1



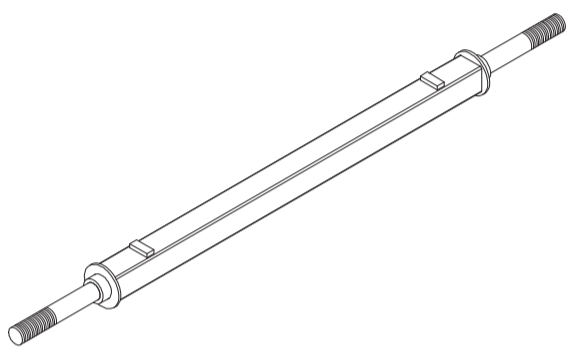
B x1



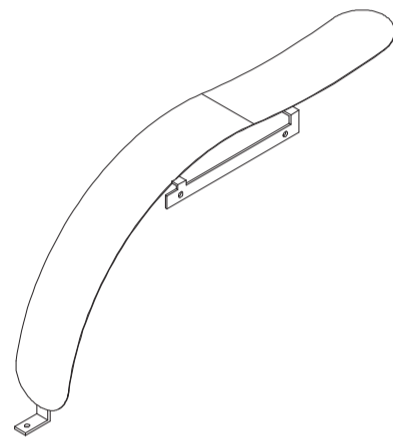
C x1



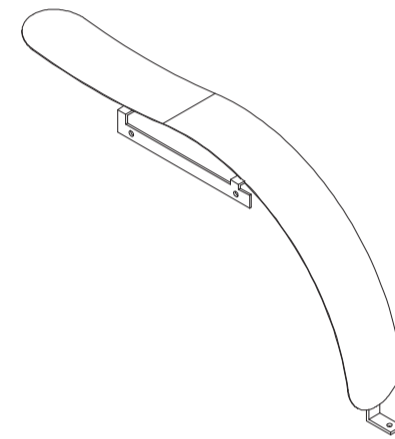
D x2



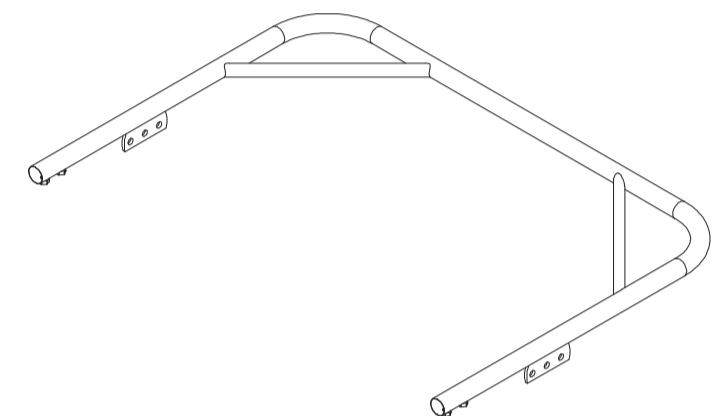
E x1



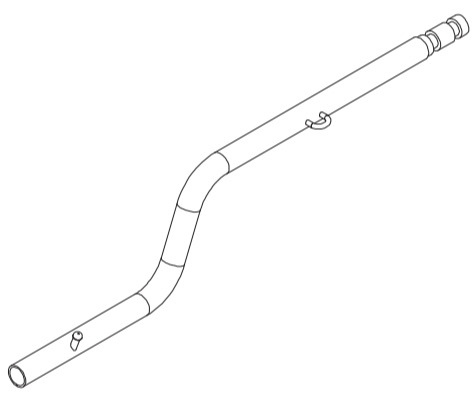
F x1



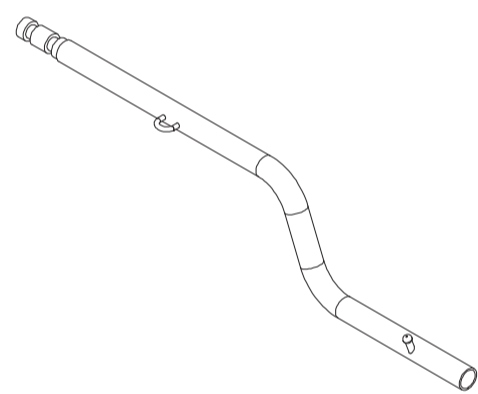
G x1



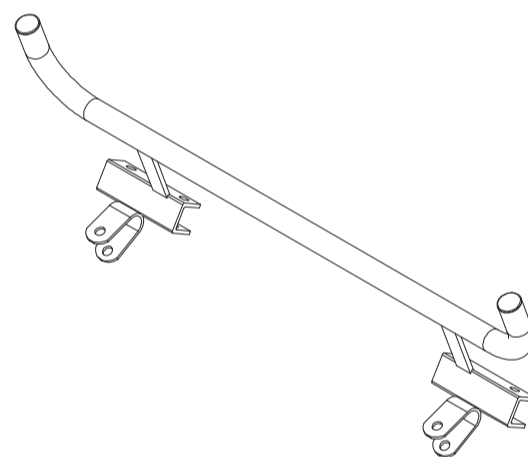
H x1



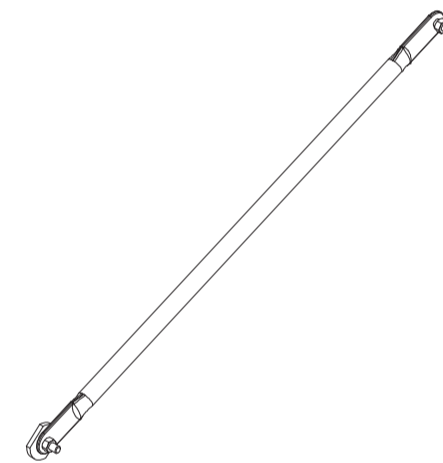
I x1



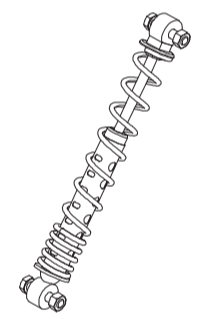
J x1



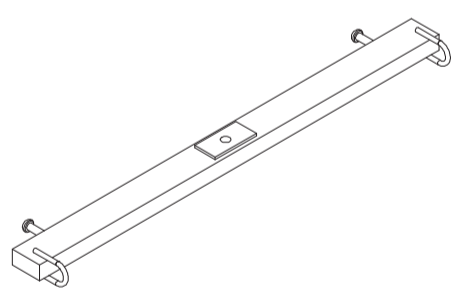
K x1



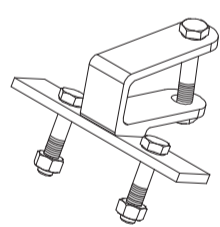
L x2



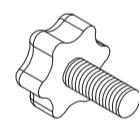
M x2



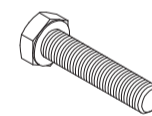
N x1



O x1



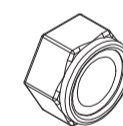
P x4



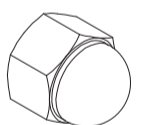
Q x2



R x2



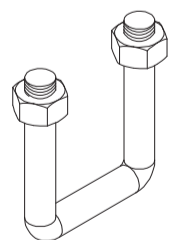
S x2



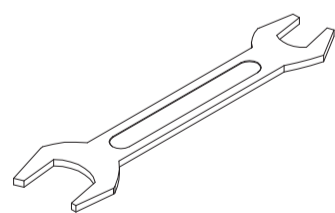
T x2



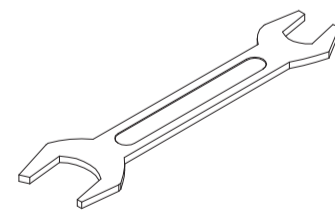
U x2



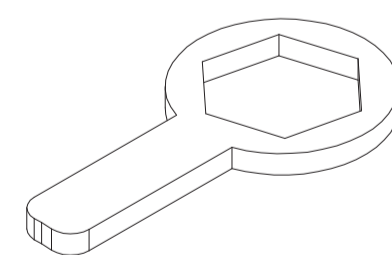
V x2



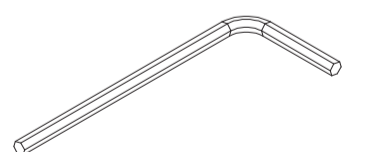
11-13



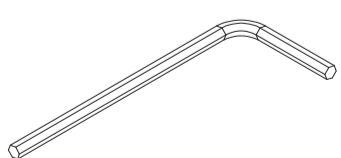
14-17



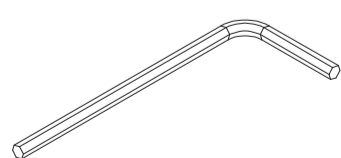
30



#2.5



#4



#5

