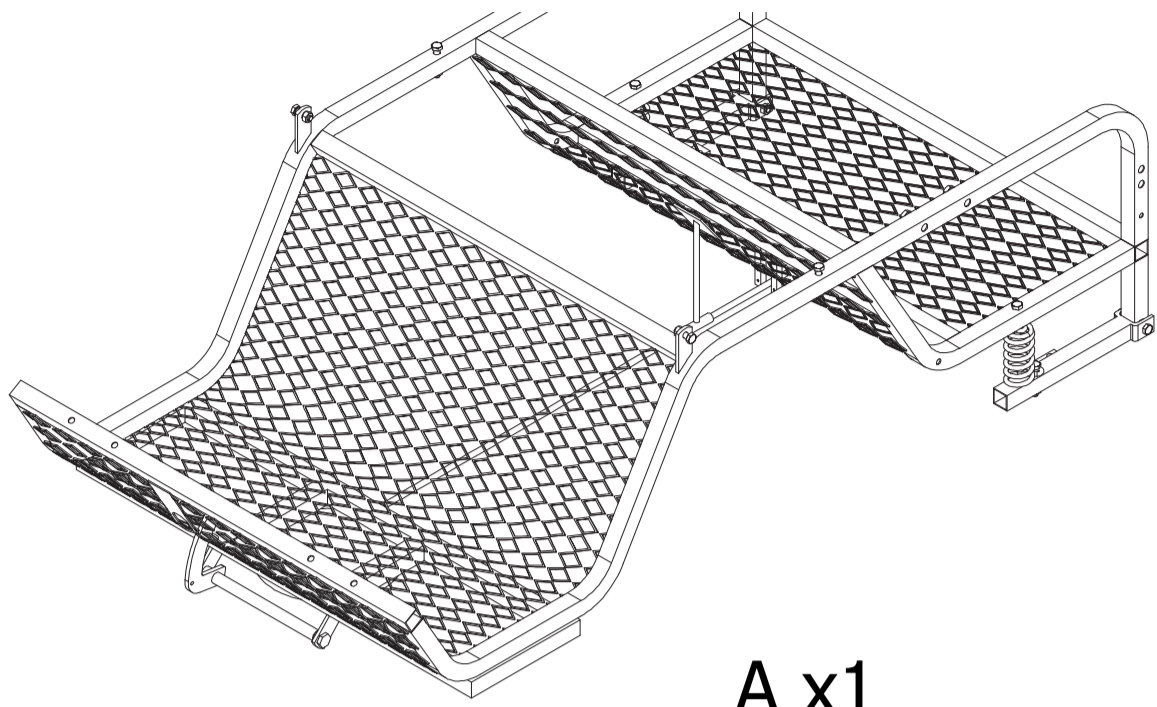
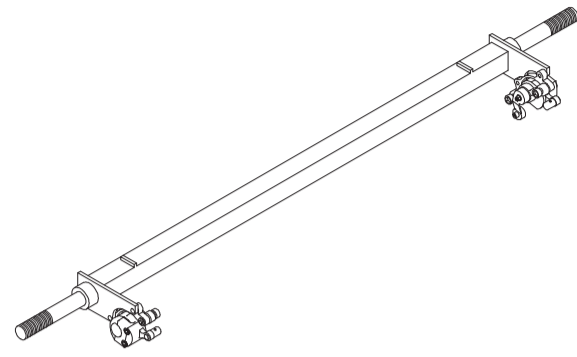


# Sulky Traverse®

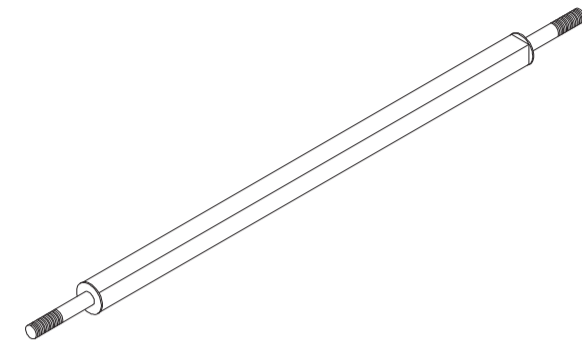
## Assembly instruction



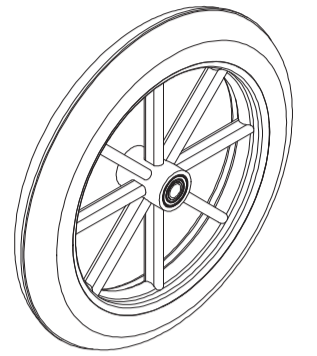
A x1



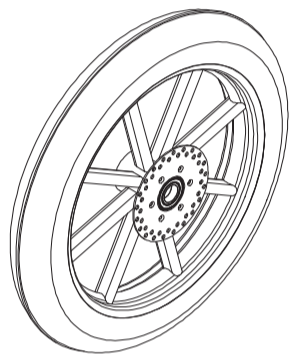
B x1



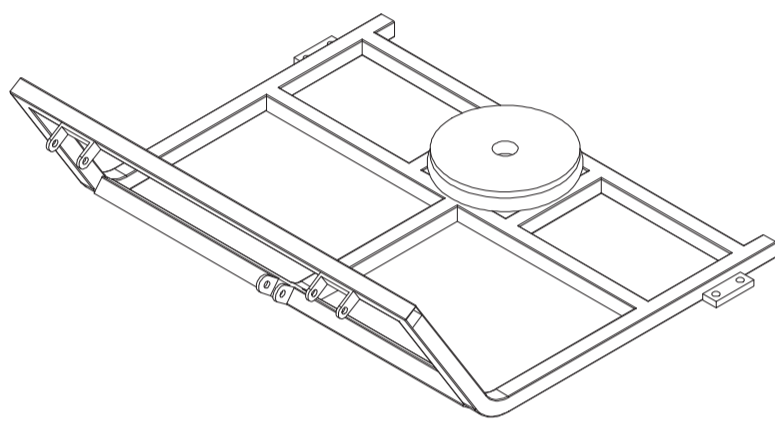
C x1



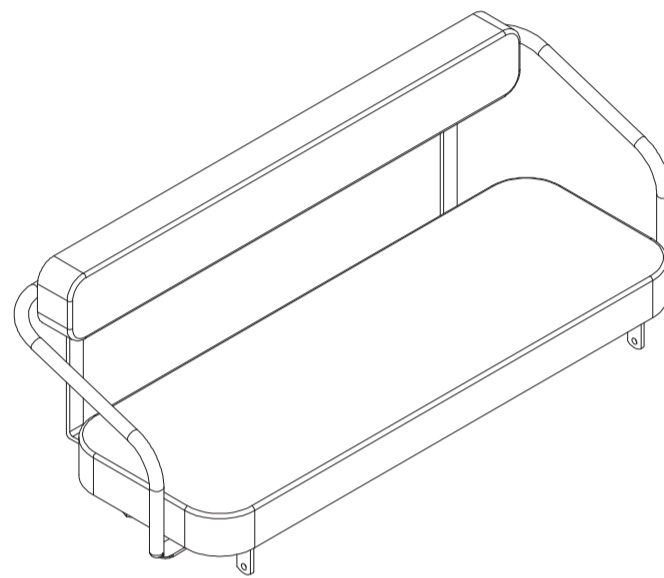
D x2



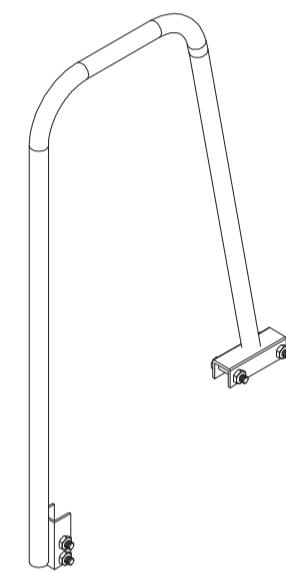
E x2



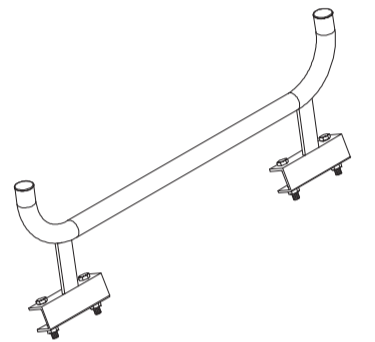
F x1



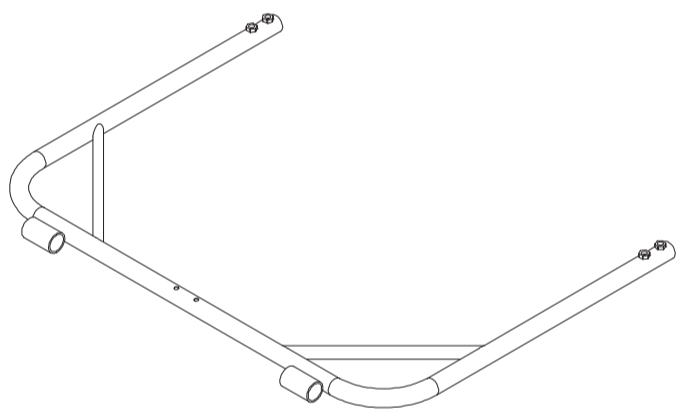
G x1



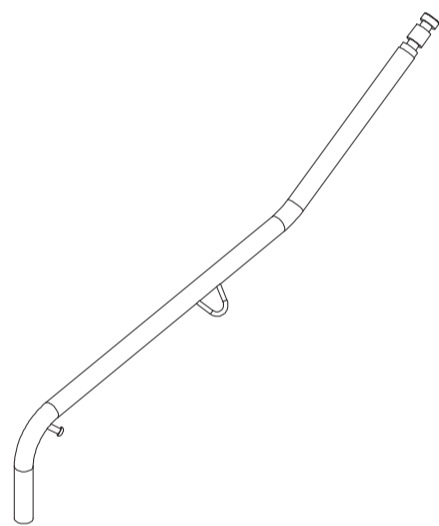
H x2



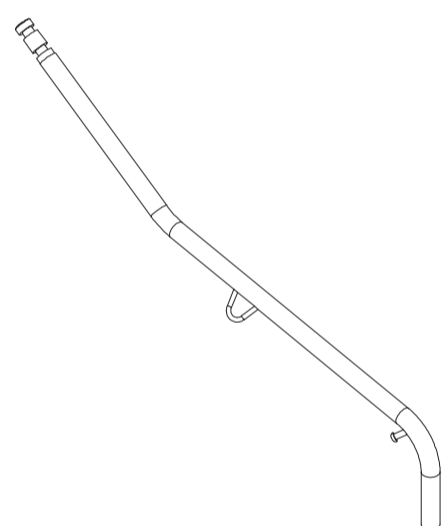
I x1



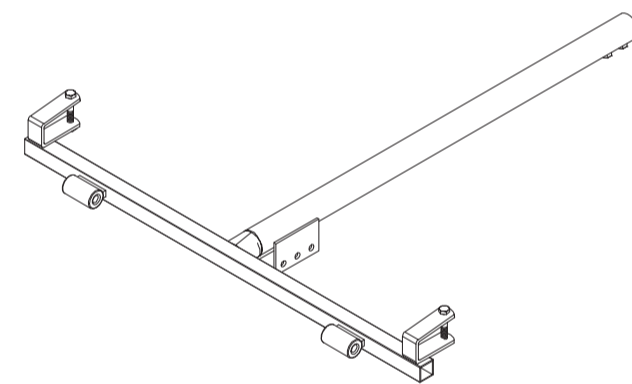
J x1



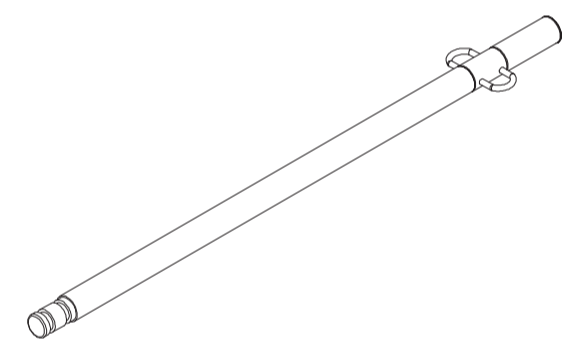
K x1



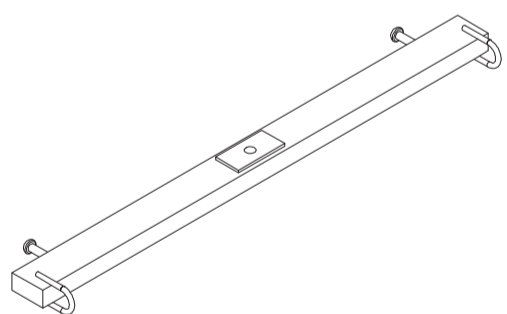
L x1



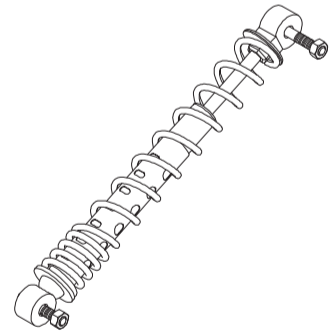
M x1



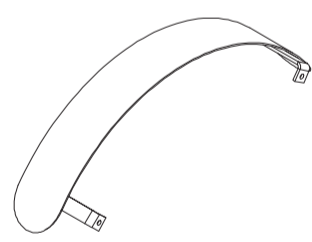
N x1



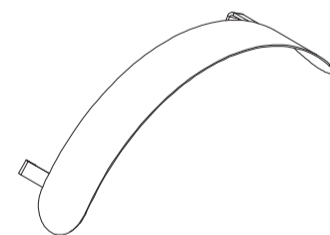
O x3



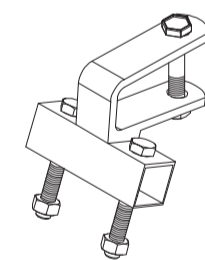
P x1



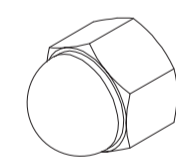
Q x1



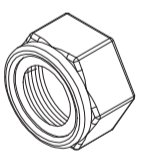
R x1



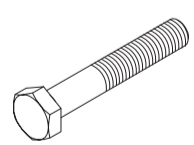
S x1



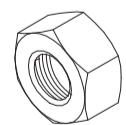
M20  
T x4



M20  
U x4



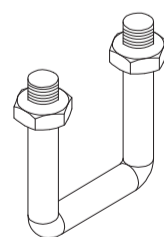
M10-80  
V x2



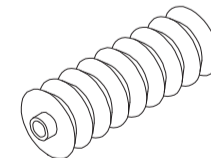
M10  
W x2



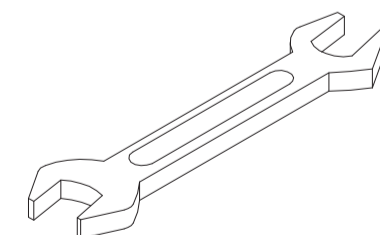
X x4



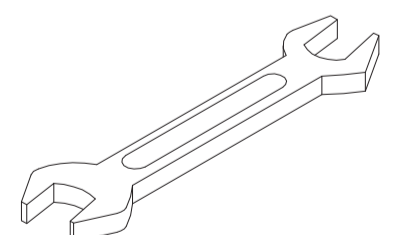
Y x4



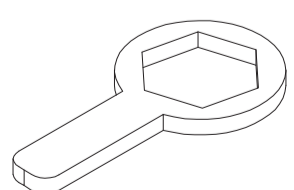
Z x1



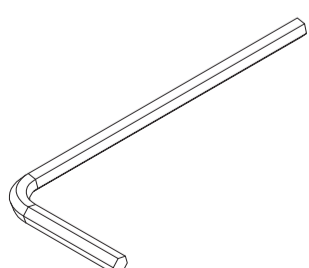
11-13



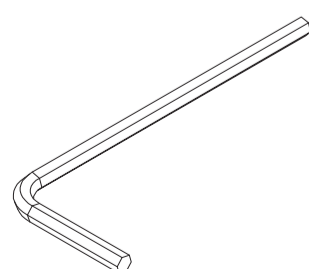
14-17



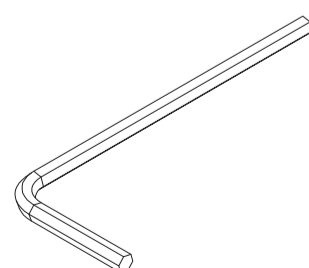
30



#2.5



#4



#5

